



Actuators

SQM45... SQM48...

for air dampers and control valves of oil and gas burners

Electromotoric actuators

- **Torques:**
 - SQM45... up to 3 Nm
 - SQM48... up to 20 Nm
 - SQM48.6... up to 35 Nm
- **Running times: ¹⁾**
 - SQM45... 10 ... 120 s
 - SQM48... 30 ... 120 s
 - SQM48.6... 60 ... 120 s
- **Versions:**
 - Choice of drive shafts (refer to «Type summary»)

¹⁾ Depending on the type of basic unit (LMV5...)

The actuators SQM45... / SQM48... and this Data Sheet are intended for use by OEMs which integrate the actuators in their products!

Use

The actuators of the SQM45... / SQM48... range are used to drive gas and air dampers, oil control valves and other ancillary equipment.

When used in connection with burner controls or electronic fuel / air ratio control, the associated controlling elements are controlled depending on burner output.

Warning notes



To avoid injury to persons, damage to property or the environment, the following warning notes must be observed!

Do not open, interfere with or modify the actuators!

- All activities (mounting, installation and service work, etc.) must be performed by qualified staff
- Before making any wiring changes in the connection area, completely isolate the plant from mains supply (all-polar disconnection). Ensure that the plant cannot be inadvertently switched on again and that it is indeed dead. If not observed, there is a risk of electric shock hazard
- Ensure protection against electric shock hazard by providing adequate protection for the actuator and for the connection terminals and by securing the housing cover
- Each time work has been carried out (mounting, installation, service work, etc.), check to ensure that wiring is in an orderly state
- Fall or shock can adversely affect the safety functions. Such units must not be put into operation, even if they do not exhibit any damage

Mounting notes

- Ensure that the relevant national safety regulations are complied with
- The connection between actuator drive shaft and controlling element must be **flexible but torsionally rigid couplings with free from backlash**

Positive connection



Note!

Possible connection with drive shaft or hub:

- Groove with Woodruff key
- Drive shaft with flat edge and matching counter piece

To avoid inadmissible loads and moments by mechanical overload, appropriate actions must be taken at the mechanical coupling

Example: Metal bellows clutches as compensating clutches with no mechanical play

Cable and cable shielding

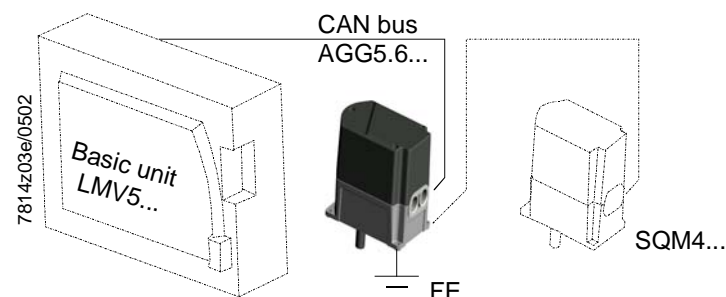
Only the specified cable may be used (refer to Basic Documentation P7550). The cable's shielding must be connected to the printed circuit board using the tab provided.



Warning!

Ensure that the actuator's housing is connected to functional earth (FE) of the system.

If necessary, remove isolating layers of paint from the fixing points on the burner's casing or run separate earth wires. For detailed information, refer to «Installation Instructions for the LMV5... system» (J7550.1).



Working range of actuator

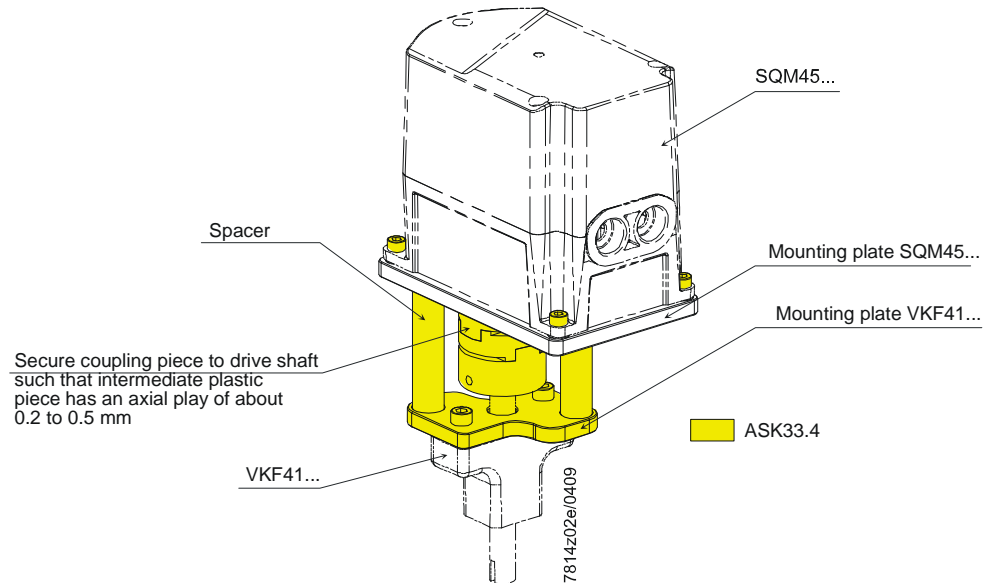
The working range is given on the type field and must be observed when mounting the actuator. To ensure the actuator is accurately located on the burner, a positioning pin of 6 mm diameter must be fitted on the mounting surface.

Mounting notes (cont'd)

IP54

To ensure **degree of protection IP54**, suitable M16 glands must be fitted in the actuator's M16 openings. The M16 glands used must feature cable strain relief. To ensure degree of protection IP54 during the actuator's entire service life, the bearing of the drive shaft must be located such that it will not be directly exposed to water or dust.

Mounting example



Installation notes

- To ensure protection against electric shock hazard, make certain that the AC 230 V section of the SQM4... is strictly segregated from the functional low-voltage section
- The holding torque is reduced when the actuator's power supply is switched off

Housing cover



Warning!

The housing cover may only be removed for short periods of time for wiring or when making the addressing. It must be made certain that dust or dirt will not get inside the actuator while such work is carried out.

ESD



Warning!

The actuator contains a printed circuit board with ESD-sensitive components. The top side of the board carries a cover which affords protection against direct contact. This protective cover must not be removed! The underside side of the board must not be touched.

Addressing

Addressing (assignment of functions) defines whether the SQM4... shall operate as a

- fuel actuator
- air damper actuator, or
- auxiliary actuator,

and is made with the display and operating unit AZL5... and the addressing button on the actuator, which is located under the housing cover (refer to Basic Documentation P7550).

The correct assignment of actuator functions can be checked with the help of flashing LEDs.

Cable length Topology

For the maximum permissible cable length, refer to the Basic Documentation. Cabling must be strictly serial (**no branching permitted!**).

Standards and certificates



Conformity to EEC directives
- Electromagnetic compatibility EMC (immunity)
- Low-voltage directive

2004/108/EC
2006/95/EC



ISO 9001: 2008
Cert. 00739



ISO 14001: 2004
Cert. 38233



Service notes

Replacement

When replacing an actuator, the following points must be checked and, if necessary, corrected:

- Addressing (assignment of functions)
- Bus termination
- Adjustment of the curvepoints of electronic fuel / air ratio control (e.g. with the LMV5...)

Disposal notes



The actuator contains electrical and electronic components and must not be disposed of together with domestic waste.
Local and currently valid legislation must be observed.

Mechanical design

Housing

The housing is made of die-cast aluminum.
The cover is made of impact-proof and heat-resistant plastic.

Color of cover: Black

Actuator

Stepper motor

Adjustment of switching points / position indication

In connection with the basic unit (e.g. LMV5...): Via the display and operating unit AZL5... (refer to Basic Documentation P7550).

Electrical connections

RAST3.5 terminals (supplied together with the AGG5.720 / AGG5.721).

Gear train

SQM45...: Spur gears made of plastic with small backlash and permanent lubrication.
SQM48...: Spur gears made of steel with small backlash and permanent lubrication.

Drive shaft

Made of black-finished steel, ready fitted to the front of the gear train (SQM48... uses a drive shaft made of hardened steel).

Mounting and fixing

The front of the gear train is used as the mounting surface. The actuator has 4 fixing holes and 1 elongated hole for the positioning pin.
Alternatively, the actuator can be secured from the side of the controlling element with 3 self-tapping screws.

Mounting kit ASK33.4

For mounting of SQM45.295A9 actuator on VKF41...C butterfly valve, an ASK33.4 mounting kit is always required.
The mounting kit consists of coupling with a preassembled mounting kit.

Type summary

Actuators SQM4...

Type reference	Drive shaft 1) no.	Running time (min.) for 90° s	Nominal torque (max.) Nm	Holding torque 2) (max.) Nm	Radial bear- ing force (max.) N
SQM45.291A9	1	10	3 ^{3) 4)}	1.5	190
SQM45.295A9	5	10	3 ^{3) 4)}	1.5	190
SQM48.497A9	7	30	20 ^{3) 4)}	20	420
SQM48.697A9	7	60	35 ^{3) 4)}	35	800

Legend

- | | | | |
|----|---|----|---|
| 1) | Refer to «Dimensions» | 4) | Under nominal conditions 20 °C. Under extreme conditions (above +50 °C ambient temperature), the torque is about 15 % lower |
| 2) | With operating voltage applied | | |
| 3) | Under nominal conditions 20 °C. Under extreme conditions (below -15 °C ambient temperature), the available torque is about 15 % lower | | |

Ordering

When ordering, please give type references of actuator and accessories according to «Type summary».

In addition to the actuator, the following item is to be ordered **separately** and is also supplied as a separate item:

- Shielded cable
- Special terminals RAST3.5 as part of the AGG5.720 / AGG5.721 kit

Accessories

Accessories must be ordered as separate items.



Mounting plate

ASK33.1

For mounting the SQM45.295A9 on the proportional controlling element VKP.
Refer to Mounting Instructions 74 319 0843 0 (M7646)



Mounting kit

ASK33.4

For mounting of SQM45.295A9 on VKF41...C butterfly valve.
Refer to Mounting Instructions 74 319 0916 0 (M7813/7814)



CAN bus connecting cable

AGG5.641

- Between LMV5... and system components
- Shielded 5-core cable
- Cable length 100 m
- $2 \times 1,25 \text{ mm}^2 + 1 \times 0,5 \text{ mm}^2 + 2 \times 0,25 \text{ mm}^2$



CAN bus connecting cable

AGG5.631

- Between LMV5... and system components
- Shielded 5-core cable
- Cable length 100 m
- $3 \times 0,5 \text{ mm}^2 + 2 \times 0,25 \text{ mm}^2$



Separable cable entry (single packing)

AGG5.810

Separable cable entry (packed in sets of 50)

AGG5.812



Note!

Specified connecting cables are mandatory!

Technical data

Actuator	Operating voltage	AC 2 x 12 V via bus cable from the basic unit or via a separate transformer
	Safety class	III to IEC 730-1
	Power consumption	
	- SQM45...	9...15 VA
	- SQM48...	26...34 VA
	On time	50 %, max. 3 min. continuously
	Angular adjustment	Max. 90°
	Mounting position	Optional
	Degree of protection	To EN 60529, IP54, provided adequate cable entries are used
	Cable entry	SQM45... / SQM48...: Insertable threaded cable glands for 2 x M16
	Electrical connections	RAST3.5 terminals (for details, refer to the basic unit)
	Ferrules	Matching the dia. of the stranded wire
	Direction of rotation	Can be selected on the basic unit
	Torques and holding torques	Refer to «Type summary»
	Reproducibility (typically in the show-room condition)	± 0.2° (when used with the basic unit LMV5...)
	Running times	Refer to «Type summary» (can be selected on the basic unit)
	Life cycle	250,000 start cycles (CLOSE ⇒OPEN ⇒CLOSE) under load with the rated torque in the entire rotation angle range. 2,000,000 control cycles under load with 75% of rated torque in rotation angle range of 10°.
	Weight	
	- SQM45...	Approx. 1 kg
	- SQM48...	Approx. 1.6 kg
Direction of rotation (when facing the shaft)		
- Standard	Counterclockwise	
- Reverse	Clockwise	
Environment conditions	Storage	DIN EN 60721-3-1
	Climatic conditions	Class 1K3
	Mechanical conditions	Class 1M2
	Temperature range	-20...+60 °C
	Humidity	<95 % r.h.
	Transport	DIN EN 60721-3-2
	Climatic conditions	Class 2K2
	Mechanical conditions	Class 2M2
	Temperature range	-20...+70 °C
	Humidity	<95 % r.h.
	Operation	DIN EN 60721-3-3
	Climatic conditions	Class 3K3
Mechanical conditions	Class 3M3	
Temperature range	-20...+60 °C	
Humidity	<95 % r.h.	



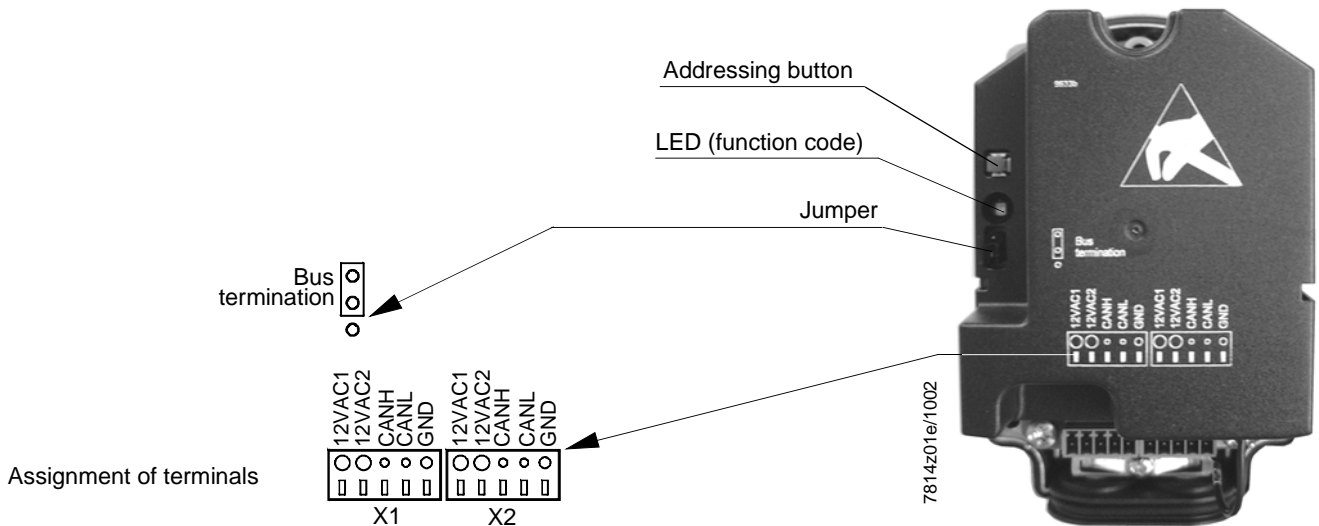
Warning!
Condensation, formation of ice and ingress of water are not permitted!

Function

The actuators SQM45... / SQM48... are of robust design and have a gear train with only small backlash.
 Control and position feedback take place via a bus system (CAN).
 The bus cable is also used for powering the actuators.
 The actuators are driven by stepper motors and can be positioned with a resolution of 0.1°.
 The characteristics and settings (running time, direction of rotation, limit positions) of the SQM4... are determined by the controlling basic unit (e.g. LMV5...; for details, refer to the Basic Documentation P7550 of the LMV5...).
 The running times of the associated controlling elements are varied by the basic unit depending on the burner's control phase (e.g. startup phase: short running time; operation: long running time).

Terminating resistor

At the end of the serial bus cabling, a terminating resistor must be fitted.
 For that purpose, a jumper must be set to BUS TERMINATION on the last actuator of the bus cable, which will activate the resistor.
 On all the other actuators, that jumper must be set to the other position (deactivated).

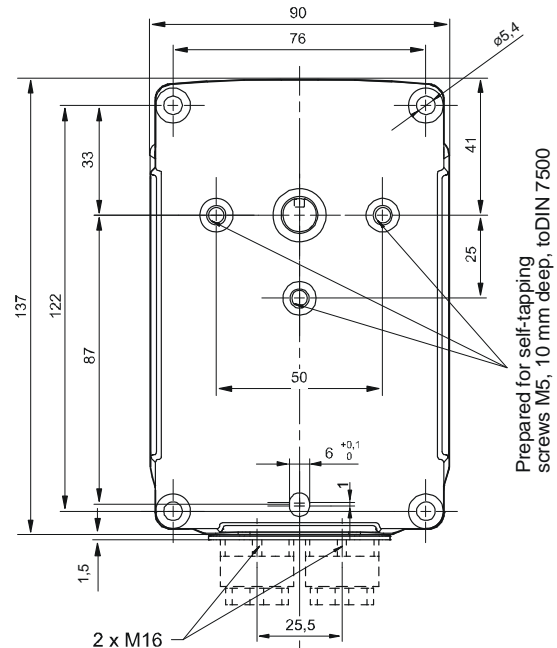
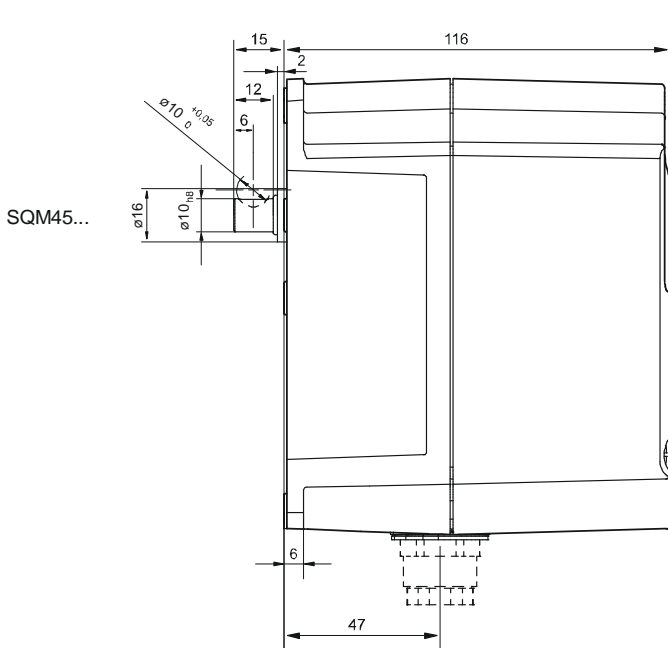


The 2 terminal blocks (X1 and X2) are identical.

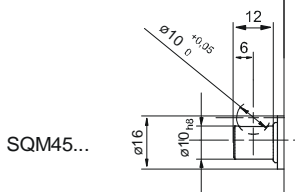
Dimensions

Dimensions in mm

SQM45... / SQM48...

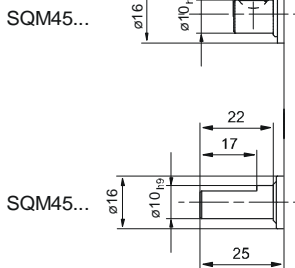


Choice of drive shaft lateral view



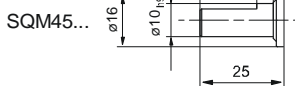
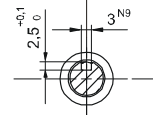
Drive shaft no. to "Type summary"

Choice of drive shaft vertical section



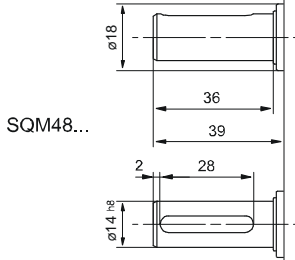
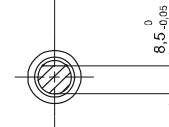
Groove for Woodruff key 3x3.7 DIN 6888

1



D-shaft

5



Groove for parallel key A5x3x28 to DIN 6885 T3

7

